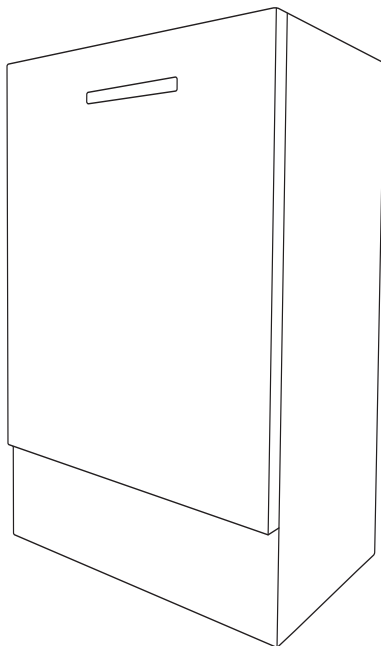


IVW4508A

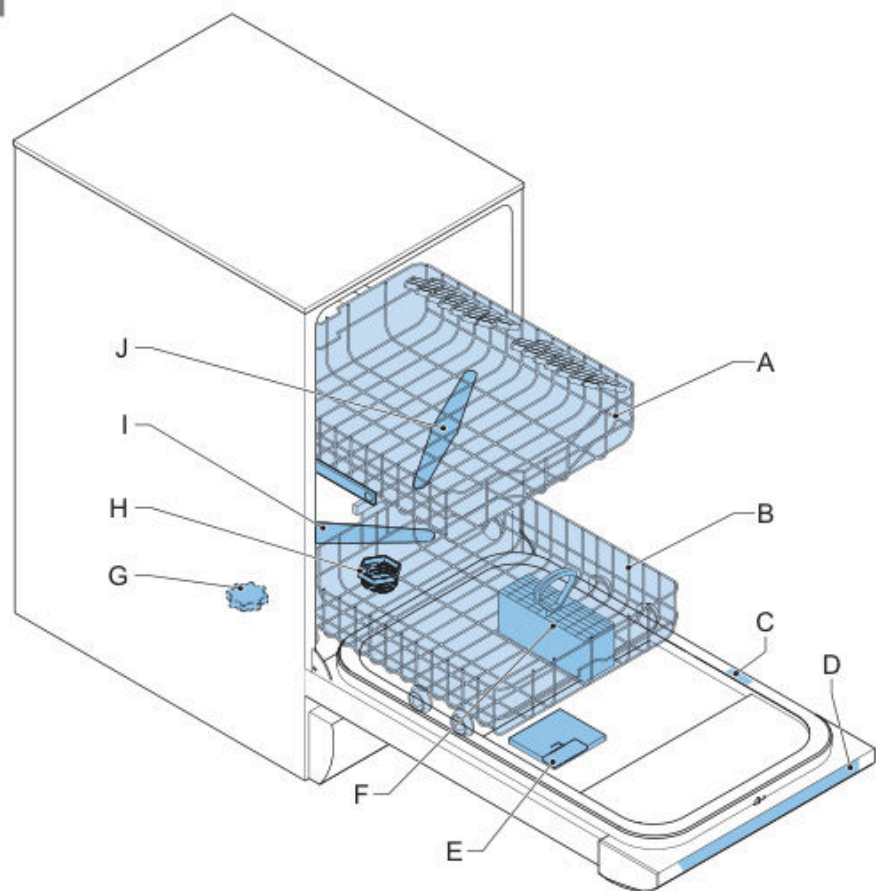
Inbouw vaatwasser

Built-in dishwasher • Eingebauter Geschirrspüler • Lave-vaisselle intégré

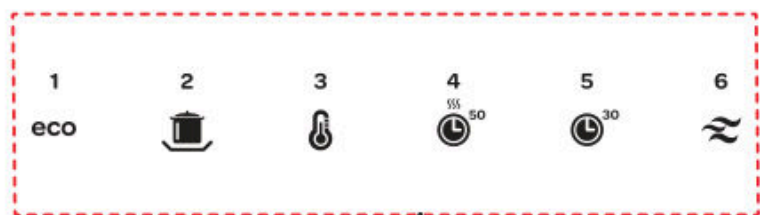


NL • Handleiding	7	-	28
EN • User manual	29	-	49
DE • Benutzerhandbuch	50	-	71
FR • Manuel d'utilisation	72	-	93

1



2



A



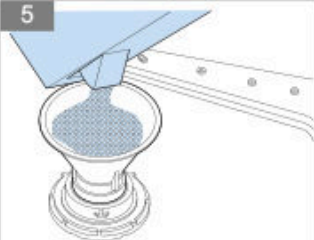
3

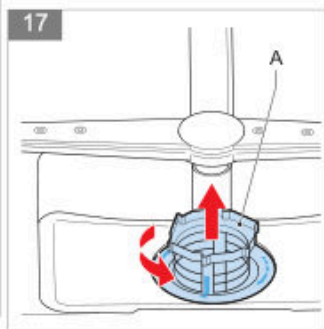
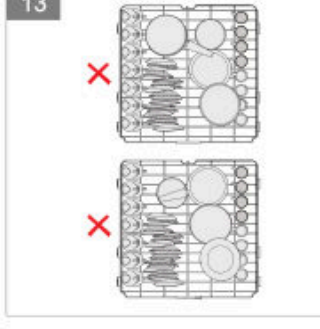
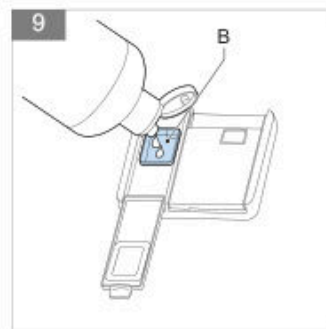
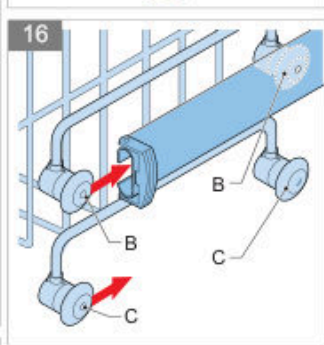
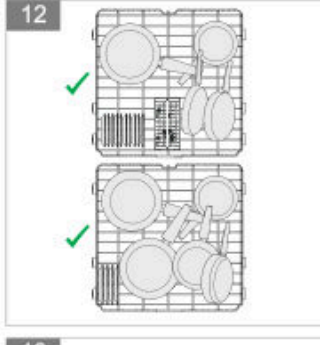
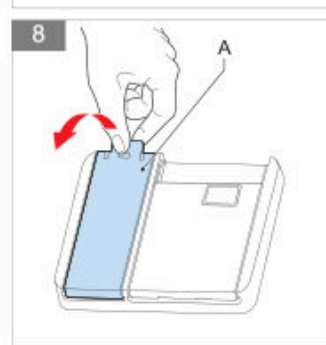
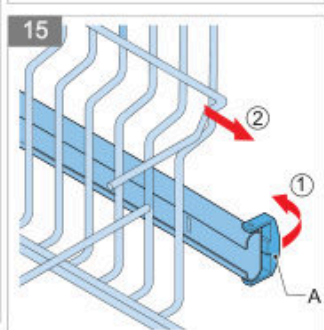
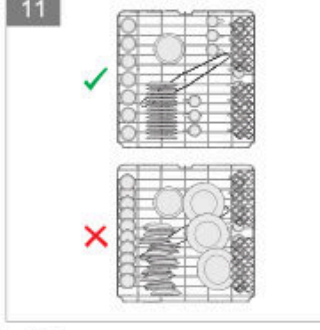
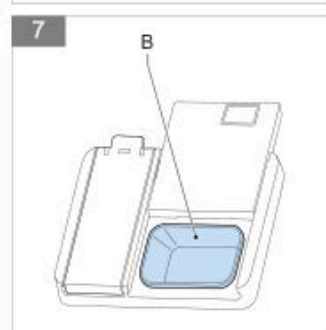
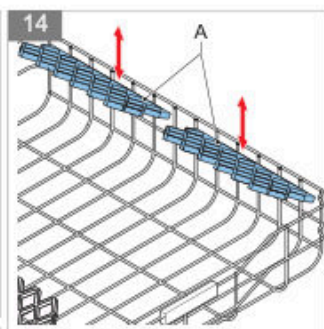
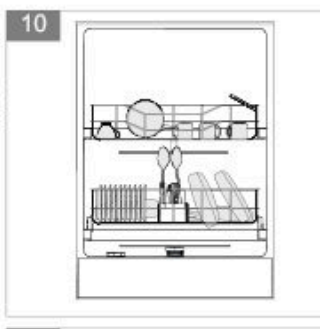
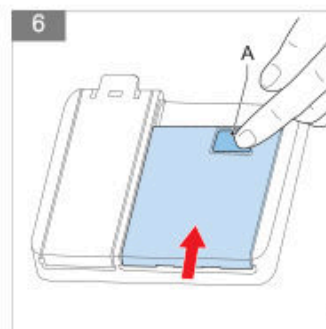


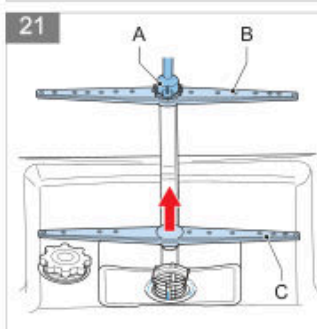
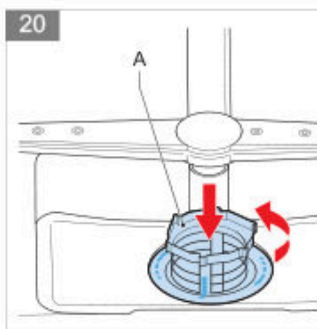
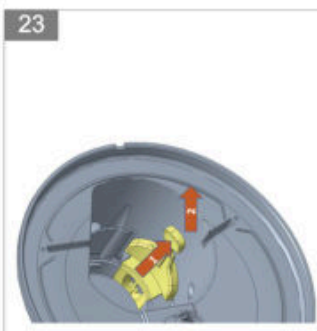
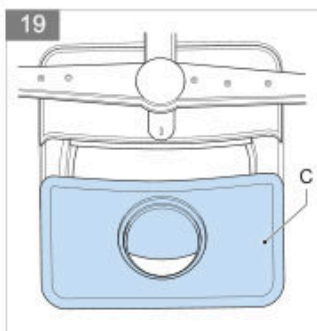
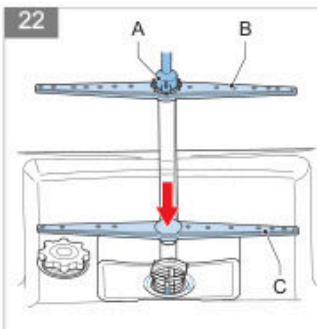
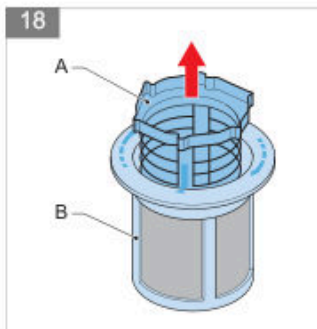
4



5







Contents




1	Introduction.....	29
2	Safety.....	29
3	Specifications.....	35
4	Description.....	36
5	Operation.....	39
6	Cleaning and maintenance.....	43
7	Extra information.....	45
8	Troubleshooting.....	45
9	General terms and conditions of service and warranty.....	48

1 Introduction

HOW TO USE THIS DOCUMENT

1. Read this document completely. Make sure that you know and understand all the instructions.
2. Obey the safety instructions to prevent injury and/or damage to the appliance and its surroundings.
3. Do the procedures completely and in the given sequence.
4. Keep this document in a safe area for future use. This document is a part of the appliance.

SYMBOLS USED IN THIS DOCUMENT

Safety symbol	Function	Description
	Warning	"Warning" means that injury or death is possible if you do not obey the instructions.
	Caution	"Caution" means that damage to the appliance is possible if you do not obey the instructions.
	Note	"Note" is used to give additional information.

2 Safety

GENERAL SAFETY INSTRUCTIONS

- Fully read the instruction manual prior to using the appliance.
- Carefully store the instruction manual for future reference.
- Only use this appliance for the purposes described in the instruction manual. If the appliance is used for other purposes the full responsibility of any consequences lies with the user. Any damages to the appliance or other products are not covered by the warranty.

- If the safety instructions and warnings are not observed, the manufacturer cannot be held liable for any resulting damage.
- Make sure that the appliance is placed out of reach of children. Children are not always able to understand potential risks. Teach children how to handle electrical appliances in a responsible way.
- This appliance cannot be used by children from 0 to 8 years. This appliance can be used by children aged from 8 years and above and persons with reduced physical sensory or mental capabilities or lack of experience and knowledge if they have been given supervision or instruction concerning use of appliance in a safe way and understand the hazards involved.
- Keep the appliance and the mains cable out of reach of children younger than 8 years.
- Children are not allowed to perform cleaning and maintenance.
- Do not let children play with the appliance.

DELIVERY

- Do a check for damage to the packaging or the appliance that resulted during transportation.
- Do not use a damaged appliance. Contact your supplier.
- Dispose of the packaging materials according to local regulations.
- Keep the packaging material out of reach from children. Danger of suffocation.

INSTALLATION

- This appliance should be installed and repaired by an authorized service only.
- Place and connect the appliance according to the installation regulations.
- Make sure that the appliance is not plugged in during placement.

- Check whether the indoor electrical fuse system is connected according to the regulations.
- All electrical connections must match the values of the rating plate.
- If the mains cable is damaged, it can only be replaced by the service organizations of the manufacturer or equivalent qualified persons.
- Make sure that the appliance is not placed on the mains cable.
- Do not use an extension cable or a multiple socket for the connection. The mains plug must be easily accessible after installing the appliance.
- Do not excessively bend the water inlet and drain hoses or the mains cable during installation. Make sure that the water inlet and drain hoses or the mains cable do not become stuck.
- After installing the appliance, make sure that you run the appliance without dishes for the first time.

POSITIONING THE APPLIANCE

- When determining the place of the appliance, make sure that you choose a place where you can easily load and unload it.
- Do not place the appliance in a location where the room temperature can be below 0°C.
- Place the appliance close to a water tap or drain and mains socket. Keep in mind that the connections will not be changed when they are made.
- Do not hold the appliance at the door or control panel to move it.
- Make sure that the water inlet and outlet hoses do not get stuck while placing the appliance.
- Place the appliance in a safe and level location.
- Make sure that the appliance is level and balanced by adjusting the feet. When the appliance is placed correctly the door opens and closes easily.

WATER CONNECTION

- Make sure that the indoor plumbing is suitable for installing the appliance.
- Install a filter at the water supply to avoid damage to the appliance due to contamination from the water (sand, clay, rust, etc.).
- Use the new water inlet hose supplied with the appliance. Before making the connection, run water through the hose.
- Make sure that you connect the water inlet hose directly to the water tap. The pressure of the water tap must be a minimum of 0,03 MPa and a maximum of 1 MPa. Install a pressure relief valve if the pressure is more than 1 MPa.
- After connecting the appliance, open the water tap completely and do a check for leaks.
- The appliance is supplied with a double-walled aquastop. The system automatically cuts off the water supply if the water inlet hose is leaking and the space between the walls is filled with water. Do not cut into the aquastop and make sure that the aquastop does not get twisted or stuck.
- Do not use a drain hose that is longer than 4 meter. As a result, dishes can remain dirty. The manufacturer will not accept responsibility.
- The appliance must be connected to the water mains using the newly supplied hose sets. Do not reuse old hose sets.

ELECTRICAL CONNECTION

- Make sure that the mains plug of the appliance is connected to a grounded mains socket. The manufacturer is not responsible for damage resulting from using the appliance with a mains socket that is not grounded.
- Make sure that the voltage and the frequency values for the current correspond to the values of the rating plate.

- The electrical system in your home must be supplied with a 16 Amp fuse. The appliance is designed for connecting to 220-240 V ~50Hz.
- Do not connect the appliance during placement.
- Use the provided mains plug.
- The mains cable of the appliance must only be replaced by an authorized service or an authorized electrician. Failure to do so can lead to accidents.
- For safety reasons, make sure that you disconnect the mains plug when a program has finished. Do not disconnect the mains plug when your hands are wet. This can result in electric shock.
- Always pull the mains plug when you disconnect the appliance. Do not pull the mains cable.

SAFETY INSTRUCTIONS FOR OPERATION

- This appliance is intended to use in household and similar applications, such as shops, offices and other working environments, farm houses, customers of motels, hotels and other residential environments and bed and breakfasts.
- For safety reasons, only use accessories and spare parts from the manufacturer that are suitable for your appliance.
- This appliance must be grounded, this prevents the risk of electric shock in the event of an error or fault. The appliance has a grounded mains cable and mains plug. Only connect the mains plug to a grounded mains socket that is installed according to local electrical regulations.
- Incorrectly connecting the mains cable can result in a life threatening situation. In case of doubt, contact a qualified electrician or service technician.
- Do not make changes to the mains plug. If the mains plug does not fit into the mains socket, contact a qualified electrician.
- Do not place heavy objects on the opened door of the appliance.

- Do not stand on the opened door of the appliance. The appliance can fall over which can result into damage to the appliance.
- Do not put any chemical dissolving agents such as solvents in the appliance. There is a risk of explosion.
- Do not clean unsuitable plastic dishes in the appliance. Only dishes with a mark, indicating that they are dishwasher-safe can be cleaned in the appliance. Follow the instructions of the manufacturer when dishes do not have a mark.
- Only use detergent, rinse aid and salt that is intended for dishwashers. The manufacturer will not be responsible for any damage resulting from using unsuitable products.
- Keep detergent and rinse aid out of reach of children.
- Keep children away from the appliance when the door is open. There can be cleaning agent present in the appliance. When cleaning agent is swallowed, immediately consult a doctor and take the packaging.
- Some dishwasher detergents are strongly alkaline and can be extremely dangerous if swallowed. Avoid contact with the skin and eyes. Keep children and pets away from the appliance when the door is open. Check that the detergent reservoir is empty after completion of the wash cycle.
- Keep the door closed. You can fall.
- Avoid contact between the cleaning agent and your skin and eyes.
- Make sure that all loose components in the appliance are fitted correctly.
- Do not open the door of the appliance during operation. Hot water can come out.
- Do not use the appliance for any other purpose than washing dishes.
- Only use the appliance in a frost free room.

- Remove the door or deactivate the lock when disposing of the appliance. Make sure that children cannot lock themselves in an old appliance.
- Make sure that the detergent reservoir is empty at the end of a wash cycle.
- Make sure that you fill the salt and rinse aid reservoir before first use and when the indicators are on.
- Make sure that you set the salt consumption before use.
- Make sure that you disconnect the appliance before cleaning or performing repairs. Remove the mains plug from the mains socket or turn off the switch in the fuse box.
- Make sure that long and/or sharp items of cutlery are placed facing down in the cutlery basket or are placed horizontally in the upper basket or the cutlery drawer.
- Do not put any items in the appliance that are not suitable for dishwashing.
- Do not fill a basket above the capacity. The manufacturer will not be responsible for damage to the appliance caused by movement of a basket.
- Do not drink the water from the appliance. The water is not suitable for consumption.
- Malfunctions of the appliance must be repaired by a qualified service technician. Repairs that are performed by other persons are not covered by the warranty.

3 Specifications

GENERAL SPECIFICATIONS

Item	Specification
Fully integrated	Yes
Color of control panel	Gray
Number of spray arms	2
Upper basket height adjustable	Yes
Maximum amount of place settings	10
Half-load option	Yes

Item	Specification
Timer [hours]	1-19
Type of display	LED display
Aquastop	Yes
Type of drying system	Super active

DIMENSIONS AND WEIGHT

Item	Specification
Dimensions (W x D x H) [mm]	448 x 550 x 820
Built-in height [mm]	820-870
Built-in width [mm]	450
Built-in depth [mm]	570
Height of appliance door (min. & max.) [mm]	647-717
Net weight [kg]	32
Gross weight [kg]	35.5
Weight of appliance door (min. & max.) [kg]	3-6

TECHNICAL SPECIFICATIONS

Item	Specification
Total power consumption [W]	1900
Heating power [W]	1800
Pump power [W]	100
Drain pump power [W]	30
Rated voltage [V] / frequency [Hz]	220-240 / 50
Water supply pressure [MPa]	0.03 (0.3 bar) - 1 (10 bar)
Current [A]	10
Length of mains cable [m]	1.65
Type of mains plug	EU/TR
Type of supply hose connection	3/4 inch, inner thread
Position of supply hose	Right rear
Length of supply hose [m]	1.70
Position of outlet hose	Right rear
Length of outlet hose [m]	2.00

4 Description

INTENDED USE

The appliance is intended to wash dishes.

Do not use the appliance for any other purpose than described in this document.

BUILT-IN DISHWASHER

(Figure 1)

A	Upper basket	F	Cutlery basket
B	Lower basket	G	Salt reservoir
C	Rating plate	H	Filters
D	Control panel	I	Lower spray arm
E	Detergent and rinse aid reservoir	J	Upper spray arm

Item	Function
Upper basket	Refer to section <i>Loading the appliance</i> .
Lower basket	Refer to section <i>Loading the appliance</i> .
Rating plate	To show the specifications of the appliance.
Control panel	Refer to section <i>Control panel</i> .
Detergent and rinse aid reservoir	To hold the detergent and rinse aid.
Cutlery basket	Refer to section <i>Loading the appliance</i> .
Salt reservoir	To hold the salt.
Filters	To keep the appliance free from contamination.
Lower spray arm	To clean the dishes in the lower basket.
Upper spray arm	To clean the dishes in the upper basket.

CONTROL PANEL







(Figure 2)

A	Programs	F	Options button
B	Display	G	Energy save indicator
C	On/off button	H	Salt indicator
D	Program selector button	I	Rinse aid indicator
E	Timer button	J	Half-load indicator

Item	Function
Programs	To show an overview of the available programs. Refer to section <i>Programs</i> .
Display	To show the number of the selected program.
On/off button	To start or stop the appliance.
Program selector button	To select a program.
Timer button	To delay the start of a program.
Options button	<ul style="list-style-type: none"> When pressed once, the energy save function is enabled: To decrease energy consumption. The appliance operates at a lower temperature to save energy. The door of the appliance opens at the end of the program to increase the drying efficiency and save energy. When pressed twice, the half-load function is enabled: To decrease the duration of the selected program. This decreases energy and water consumption. When pressed three times, the energy save function and the half-load function are enabled.

Item	Function
Energy save indicator	To show that the energy save option is selected. The indicator is on when the energy save option is selected.
Salt indicator	To show that the level of salt is low. The indicator is on when the salt reservoir is almost empty.
Rinse aid indicator	To show that the level of rinse aid is low. The indicator is on when the rinse aid reservoir is almost empty.
Half-load indicator	To show that the half-load option is selected. The indicator is on when the half-load option is selected.

PROGRAMS

Icon	Name	Description	Time [min.]	Elec. consumption [kWh/cycle]	Water consumption [l/cycle]
	P1 - Eco	Daily program for normally soiled dishes. The program takes longer, but uses less water and slowly heats for lower energy consumption.	222	0.674	11.0
	P2 - Intensive	Program for heavily soiled dishes.	117	1.55	15.2
	P3 - Hygiene	Program for heavily soiled dishes that need a hygienic cleaning.	124	1.65	16.8
	P4 - Quick '50	Short program for normally soiled dishes.	50	0.95	11.4
	P5 - Quick '30	Short program for lightly soiled dishes, such as cups and glasses.	30	0.67	11.4
	P6 - Rinse	Short program for pre-wash and soaking of dishes that you plan to wash later.	15	0.02	3.8

- The program duration can change based on the amount of dishes, the water temperature, the ambient temperature and selected additional functions.
- The eco program is suitable to clean normally soiled dishes. It is the most efficient program because of the combined energy and water consumption and it complies with the EU ecodesign legislation.



Note:

The energy consumption values of the eco program can differ according to regulations 10/16/2010 and 1059/2010. The table complies with regulations 2019/2022 and 2017/2022.

- When the appliance is used according to the instructions of the manufacturer, washing dishes in a household dishwasher usually consumes less energy and water during the use phase compared to hand-washing dishes.
- Short programs do not include drying.
- Only use powder detergent when you choose a short program.
- To assist drying, we recommend opening the door 15 cm after a cycle is complete.

5 Operation

PREPARING FOR OPERATION

1. Do a check if the electricity and the water supply connections of the appliance match the values indicated in the installation instructions.
2. Remove all packaging material inside the appliance.
3. Fill the salt reservoir. Refer to section *Filling the salt reservoir*.
4. Fill the rinse aid reservoir. Refer to section *Filling the rinse aid reservoir*.

FILLING THE SALT RESERVOIR

For a good result the appliance needs soft (less calcareous) water. Salt is used to soften the water and it prevents white lime residues on your dishes and the interior of the appliance.



Caution:

Only use salt that is suitable for a dishwasher. Do not use table salt.



Note:

Fill the salt reservoir when the salt indicator on the control panel is on.

1. Remove the lower basket.
2. Turn the cap (A) of the salt reservoir counter-clockwise to remove it.
3. Fill the salt reservoir with water.

(Figure 3)

(Figure 4)



Note:

You only have to fill the salt reservoir with water before first use of the appliance.

4. Put a funnel in the opening of the salt reservoir.
5. Fill the reservoir with salt until the overflow level.
6. Install the cap of the salt reservoir.

(Figure 5)



Caution:

Remove any spilled salt immediately and run a full program to prevent corrosion of the appliance.

SETTING THE LEVEL OF SALT CONSUMPTION

The salt consumption of the appliance depends on the level of water hardness.

Set the level of salt consumption according to the information in section *Water hardness level settings (salt consumption)*.



Note:

Contact your local water company to verify the level of water hardness in your area.



Note:

As a default, the level of water hardness of the appliance is set to level 3.

1. Make sure that the appliance is off.
2. Push the on/off button to start the appliance.
3. Push and hold the program selector button immediately after the appliance starts.

4. Hold the program selector button until the display briefly shows SL. After that the display shows the latest set level of water hardness.
5. Push the program selector button to change the level of water hardness.
6. Push the on/off button to confirm the setting.

FILLING THE DETERGENT RESERVOIR



Warning:

Store detergent out of reach of children in a cool and dry place.



Caution:

Only use detergent that is suitable for dishwashers.



Caution:

Do not put a detergent tablet in the cutlery basket, only use the detergent reservoir.



Note:

Detergent is available in powder, gel and tablets and is also available as a combined product (with salt and/or rinse aid). Combined products only produce sufficient results under certain conditions. Observe the instructions of the packaging.

1. Make sure that you fill the detergent reservoir before you start the appliance.
2. Push the latch (A) to open the detergent reservoir. *(Figure 6)*
3. Fill the reservoir (B) with detergent: *(Figure 7)*
 - a. Use 25 grams of detergent for heavily soiled dishes.
 - b. Use 15 grams of detergent for lightly soiled dishes.



Caution:

The detergent reservoir has a capacity of 40 grams. Do not overfill the detergent reservoir. This can result in poorly dissolving detergent and damage to your glassware.

4. Close the detergent reservoir.
5. Select a program.
6. Close the door.

FILLING THE RINSE AID RESERVOIR

Rinse aid is used to prevent traces of water droplets on clean dishes and increases drying performance.



Caution:

Only use rinse aid that is suitable for dishwashers.



Note:

Fill the rinse aid reservoir when the rinse aid indicator on the control panel is on.

1. Open the rinse aid reservoir (A). *(Figure 8)*
2. Fill the reservoir (B) with rinse aid until the MAX level. *(Figure 9)*



Caution:

Remove any spilled rinse aid immediately. Spilled rinse aid can form extreme foam which can cause leaks.

SETTING THE LEVEL OF RINSE AID CONSUMPTION

When water stains form on your dishes after a wash cycle, you have to increase the level of rinse aid consumption. When blue stains form on your dishes after a wash cycle, you have to decrease the level of rinse aid consumption. Set the level of rinse aid consumption according to the information in section *Rinse aid consumption settings*.



Note:

As a default, the level of rinse aid consumption of the appliance is set to level 4.

1. Make sure that the appliance is off.
2. Push the on/off button to start the appliance.
3. Push and hold the program selector button immediately after the appliance is turned on.
4. Hold the program selector button until the display briefly shows rA. After that the display shows the latest set level of rinse aid consumption.
5. Push the program selector button to change the level of rinse aid consumption.
6. Push the on/off button to confirm the setting.

LOADING THE APPLIANCE

Correctly placing dishes into the appliance has a positive effect on the energy consumption and the washing and drying performance of your appliance.

Manual pre-rinsing of tableware leads to increased water and energy consumption and is not recommended.

Remove any coarse food deposits from the dishes before placing the dishes into the appliance.

You can place dishes in the cutlery basket, the upper basket and the lower basket.



Caution:

Make sure that you load the appliance in such a way that the dishes do not block the upper and lower spray arm. If the spray arms are blocked they cannot spin during washing.

Loading the cutlery basket

The cutlery basket is designed for loading cutlery.



Warning:

Place sharp items of cutlery, such as knives and forks, face down in the cutlery basket to prevent injury.



Caution:

Make sure that there are no items of cutlery sticking out of the bottom of the basket.

1. Place the cutlery piece by piece in a compartment of the cutlery basket to make sure that the spray arms can reach all items.

(Figure 10)

Loading the upper basket

The upper basket is designed for loading cups and saucers, small bowls and glasses. You can both adjust the height of the upper basket and the height of the racks of the upper basket to create more space.

1. If necessary, adjust the height of the racks of the upper basket. Refer to section *Adjusting the height of the racks of the upper basket*.
2. If necessary, adjust the height of the upper basket. Refer to section *Adjusting the height of the upper basket*.
3. Place the dishes in the upper basket.
4. Make sure that you place wine glasses and long-stem glasses against the edge of the basket, rack or glass supporter wire.

(Figure 11)



Caution:

Do not place wine glasses and long-stem glasses against other items to prevent damage to the glasses.

5. Place long, small cooking utensils, such as wooden spoons, in the middle of the upper basket.

Loading the lower basket

The lower basket is designed for loading pots with long handles, pans, lids, plates and salad bowls. The lower basket also has space for the cutlery basket.

1. Place the dishes correctly in the lower basket. (Figure 12)
2. Do not place the dishes incorrectly in the lower basket. (Figure 13)

ADJUSTING THE HEIGHT OF THE RACKS OF THE UPPER BASKET

The racks can be moved up to create more space in the upper basket, for example to place different-sized glasses under the racks or to place cutlery items on the racks.

1. Move the racks (A) up or down. (Figure 14)

ADJUSTING THE HEIGHT OF THE UPPER BASKET

The complete upper basket can be moved to create more space in the upper basket or in the lower basket. When the upper basket is in the upper position, you can place large items, such as pots and large plates, in the lower basket. When the upper basket is in the lower position, you can place large plates in the upper basket.

1. Open the latch (A) on both guiding rails. (Figure 15)
2. Remove the basket from the guiding rails.
3. Put the runners in the guiding rails: (Figure 16)
 - a. Put the upper runners (B) in the guiding rails to put the basket in the lower position.
 - b. Put the lower runners (C) in the guiding rails to put the basket in the upper position.
4. Push the basket back in the guiding rails.
5. Close the latch on both guiding rails.

STARTING THE APPLIANCE

1. Push the on/off button to start the appliance.

CHOOSING A PROGRAM



Note:

For an overview of the programs, refer to section [Programs](#).

1. Use the program selector button to choose a program. The display shows the selected program and the duration.
2. Use the timer button to delay the start time of the program. Refer to section [Delaying the program](#).
3. Use the options button to add the energy save option and/or the half-load option to the selected program.



Note:

If the energy save option or the half-load option is not compatible with the selected program, a buzzer sounds.

4. If necessary, cancel the energy save option and/or the half-load option by pushing the options button again until the corresponding indicator goes off.
The program starts when you close the door.

CHANGING THE PROGRAM

You can change the program while the appliance is running.

1. Carefully open the door to avoid water spillage.
2. Use the program selector button to choose another program.
3. Close the door.

The newly selected program will resume the course of the previously selected program.

DELAYING THE PROGRAM



Note:

The start time of a program can be delayed for a maximum of 19 hours.

1. Push the timer button to delay the start time of a program. Every time you push the button the timer increases by 1 hour.
2. Push the timer button again to change the time or cancel the timer.
3. Close the door to activate the timer.

The program will start when the timer has finished.

RESETTING THE PROGRAM

You can reset the program while the appliance is running.

1. Carefully open the door to avoid water spillage. The display shows the selected program.
2. Push and hold the program selector button for 3 seconds. The display shows 1.
3. Close the door to let the appliance drain the water inside. This takes about 30 seconds.

A buzzer sounds five times when the program is cancelled.

STOPPING THE APPLIANCE



Note:

The appliance is silent for 40 to 45 minutes during the drying process.



Note:

A buzzer sounds five times when the program is finished.

1. Open the door.
2. Wait a few minutes before you unload the appliance. The dishes are very hot and can break.
3. Push the on/off button to switch off the appliance.

6 Cleaning and maintenance

CLEANING THE APPLIANCE



Caution:

Make sure that the appliance is off.



Note:

If you clean the appliance regularly, it will improve the service life.

1. Clean the outside of the appliance. Use a damp cloth.
2. Clean the seals of the door. Use a soft cloth.
3. Clean the inside of the appliance in case of high contamination:
 - a. Fill the detergent reservoir with a special cleaning agent for dishwashers.
 - b. Select a program with a high temperature.
 - c. Start the program.

CLEANING THE FILTERS

The filter system of the appliance consists of three components: the main filter, the micro filter and the sieve. Clean the filters weekly.



Warning:

Do not use the appliance without the filter system.



Note:

Clean filters make sure that your appliance functions correctly.

1. Remove the lower basket.
2. Turn the main filter (A) counter-clockwise to remove it.

(Figure 17)



Note:

The micro filter is attached to the main filter.

3. Remove the main filter (A) from the micro filter (B).
4. Remove the sieve (C).
5. Clean the main filter, the micro filter and the sieve. Use warm water and a dishwashing brush.
6. Install the sieve.
7. Install the main filter into the micro filter. Make sure that the markers are aligned.
8. Install the main filter into the sieve.
9. Turn the main filter clockwise to fasten it.

(Figure 18)

(Figure 19)

(Figure 20)



Caution:

Make sure that the filters are placed correctly. Incorrect placement of the filters affects the maximum performance of the appliance.

CLEANING THE SPRAY ARMS

1. Remove the upper and lower basket.
2. Remove the nut (A).
3. Remove the upper spray arm (B).
4. Pull the lower spray arm (C) upwards to remove it.
5. Clean the spray arms. Use warm water.
6. Install the lower spray arm (C).
7. Install the upper spray arm (B).
8. Tighten the nut (A).

(Figure 21)

(Figure 22)

CLEANING THE PUMP

Food residue or foreign objects that were not captured by the filters can cause the waste water pump to block. The rinsing water level will be above the filter. Clean the pump to remove the blockage.



Warning:
Broken glass or sharp objects can cause injuries.

1. Make sure that the appliance is disconnected.
2. Remove the lower basket.
3. Remove the filters. Refer to section *Cleaning the filters*.
4. Remove the excess water. Use a sponge or cloth.
5. Push down the cover of the drainage pump in direction 1.
6. Lift the cover of the drainage pump upwards in direction 2.
7. Remove the blockage and check the impeller of the drainage pump.
8. Push the cover of the drainage pump in direction 3 until you hear a click. Make sure that the cover fits into the channels.
9. Install the filters.
10. Install the baskets.

(Figure 23)

(Figure 24)

7 Extra information

WATER HARDNESS LEVEL SETTINGS (SALT CONSUMPTION)

Level	German hardness [dH]	French hardness [dF]	British hardness [dE]	Display indicator
1	0-5	0-9	0-6	L1
2	6-11	10-20	7-14	L2
3	12-17	21-30	15-21	L3
4	18-22	31-40	22-28	L4
5	23-31	41-55	29-39	L5
6	32-50	56-90	40-63	L6

RINSE AID CONSUMPTION SETTINGS

Level	Number of rinse aid doses that is dispensed	Display indicator
1	Rinse aid not dispensed	r1
2	1 dose	r2
3	2 doses	r3
4	3 doses	r4
5	4 doses	r5

8 Troubleshooting

GENERAL TROUBLESHOOTING PROCEDURE

1. Try to find a solution for the problem with the help of the troubleshooting table and the fault codes.
2. If you cannot find a solution for the problem, reset the appliance. Refer to section *Resetting the program*.
3. If the fault code keeps re-occurring, contact the Inventum-servicedienst.

TROUBLESHOOTING TABLE

Problem	Possible cause	Possible solution
The program does not start.	The mains plug is not connected.	Connect the mains plug.
	There is a problem with the fuse.	Do a check on the fuse box.
	There is no water supply.	Open the water tap.
	The door of the appliance is open.	Close the door.
	The appliance is switched off.	Start the appliance. Refer to section <i>Starting the appliance</i> .
	The water inlet hose and filters are clogged.	Make sure that the water inlet hose and the filters are not clogged.
A function indicator is on and the display goes on and off.	The door is open.	Close the door.
The detergent reservoir contains detergent residues.	The detergent reservoir is filled while the reservoir was still damp.	Make sure that you fill the detergent reservoir when it is dry.
The appliance contains water when the program is finished.	The drain hose is clogged or twisted.	<ul style="list-style-type: none"> • Make sure that the drain hose is not clogged. • Make sure that the drain hose is not twisted.
	The filters are clogged.	Clean the filters. Refer to section <i>Cleaning the filters</i> .
	The program has not finished.	Wait until the program is finished. A buzzer sounds five times when the program is finished.
The appliance stops during a program.	There is a power failure.	Make sure that there is power.
	There is a water inlet failure.	Make sure that there is water inlet supply.
	The program is paused.	Start the program.
The appliance makes unusual sounds during a program.	The appliance is not loaded correctly.	Make sure that you load the appliance correctly. Refer to section <i>Loading the appliance</i> .
	One of the spray arms hits the dishes.	Make sure that you load the appliance correctly. Refer to section <i>Loading the appliance</i> .
There is food waste left on the dishes.	The appliance is not loaded correctly and the spray arms cannot reach all the dishes.	Make sure that you load the appliance correctly. Refer to section <i>Loading the appliance</i> .
	The cutlery basket is too full.	Make sure that you load the appliance correctly. Refer to section <i>Loading the appliance</i> .
	The dishes are placed too close together.	Make sure that you load the appliance correctly. Refer to section <i>Loading the appliance</i> .
	The amount of detergent is insufficient.	Make sure that you fill the detergent reservoir with a sufficient amount of detergent. Refer to section <i>Filling the detergent reservoir</i> .

Problem	Possible cause	Possible solution
	The selected program is not suitable for the loaded dishes.	Choose a suitable program. Refer to section <i>Programs</i> .
	One of the spray arms is clogged.	Clean the spray arms. Refer to section <i>Cleaning the spray arms</i> .
	The filters are clogged.	Clean the filters. Refer to section <i>Cleaning the filters</i> .
	The filters are not placed correctly.	Make sure that you correctly place the filters.
	The water drain pump is clogged.	Make sure that the water drain pump is not clogged.
There are white stains on the dishes.	The amount of detergent is insufficient.	Make sure that you fill the detergent reservoir with a sufficient amount of detergent. Refer to section <i>Filling the detergent reservoir</i> .
	The level of rinse aid consumption is set too low.	Adjust the level of rinse aid consumption. Refer to section <i>Setting the level of rinse aid consumption</i> .
	There is a high level of water hardness and no salt is used.	Fill the salt reservoir. Refer to section <i>Filling the salt reservoir</i> .
	The level of water hardness is set too low, which affects the salt consumption.	Adjust the level of salt consumption. Refer to section <i>Setting the level of salt consumption</i> .
	The cap of the salt reservoir is not closed correctly.	Make sure that the cap of the salt reservoir is closed firmly.
The dishes are not dry.	The selected program does not include drying.	Choose a program that includes drying. Refer to section <i>Programs</i> .
	The level of rinse aid consumption is set too low.	Adjust the level of rinse aid consumption. Refer to section <i>Setting the level of rinse aid consumption</i> .
	The appliance is unloaded too quickly after the program is finished.	Wait a few minutes after the program is finished before you unload the appliance.
There are rust stains on the dishes.	The stainless steel quality of the dishes is insufficient.	Make sure that you only clean dishwasher-safe dishes in the appliance.
	The level of salt consumption is set too high.	Adjust the level of salt consumption. Refer to section <i>Setting the level of salt consumption</i> .
	The cap of the salt reservoir is not closed correctly.	Make sure that the cap of the salt reservoir is closed firmly.
	Any spilled salt during filling of the salt reservoir was not cleaned immediately.	Make sure that you clean any spilled salt immediately and run a full program to prevent corrosion.
	The water supply is polluted.	Do a check on the water supply.

FAULT CODES

The fault codes are shown on the display of the control panel.

Fault code	Possible cause	Possible solution
F5	There is insufficient water supply.	<ul style="list-style-type: none">• Make sure that the water tap is fully open and that the water supply is not blocked.• Close the water tap, remove the water inlet hose and clean the filter of the hose.• Contact the Inventum-servicedienst if the fault code keeps re-occurring.
F3	The water supply does not stop.	<ul style="list-style-type: none">• Close the water tap.• Contact the Inventum-servicedienst.
F2	The waste water in the appliance cannot be discharged.	<ul style="list-style-type: none">• Do a check if the drain hose is clogged.• Do a check if the filters are clogged.• Reset the program. Refer to section <i>Resetting the program</i>.• Contact the Inventum-servicedienst if the fault code keeps re-occurring.
F8	The heater has an error.	Contact the Inventum-servicedienst.
F1	The safety for water overflow is activated.	<ul style="list-style-type: none">• Disconnect the mains plug and close the water tap.• Contact the Inventum-servicedienst.
F7	The temperature of the appliance is too high.	Contact the Inventum-servicedienst.
F6	The heat sensor has an error.	Contact the Inventum-servicedienst.
FE	There is an electronic error.	Contact the Inventum-servicedienst.

9 General terms and conditions of service and warranty

5-year Inventum warranty

1. Customers enjoy a 5-year full manufacturer's warranty on all Inventum products.
2. Within this period, a defective product or part, which makes normal functioning of the product or part impossible, will always be repaired free of charge or, if repair is not possible and/or does not provide a solution, replaced (by the same or equivalent products). The assessment of this lies with Inventum.
3. In order to make a claim under the 5-year Inventum warranty, you must, within two months after discovering the fault or defect, either return the product to the shop where you bought it, or contact the Inventum customer service department by using the form at <https://www.inventum.eu/service>.
4. The warranty period starts from the date stated on the product's original sales receipt.
5. To invoke the warranty, you must always send a copy of the original proof of purchase with the service request and present the original proof of purchase to the service technician.
6. The 5-year warranty applies only to normal domestic use of Inventum products within the Netherlands.

Warranty exclusions

1. The 5-year Inventum guarantee does not apply in case of: normal wear and tear, consumables, improper use, insufficient or incorrect maintenance, incorrect and/or inexperienced assembly and installation of the appliance, repairs by unauthorized third parties, business or commercial use, missing serial number, damage caused by an external cause. This enumeration is not exhaustive.
2. B-choice products and products that have been built-in in a showroom are not covered by the 5-year Inventum warranty. All optical damage such as dents, scratches and slight traces of use are excluded from any warranty.

Reporting malfunctions on Inventum products

1. Faults or defects on Inventum products can be reported by using the service request form on the website '<https://www.inventum.eu/service>' or through the seller of the product.
2. A copy of the original proof of purchase must be included with the request.
3. Inventum's service department determines whether the product will be repaired or replaced, based on the request and the sales receipt.

Important to know

- Products sent without prior notification will not be accepted. Further to the notification, you will be informed by Inventum whether a warranty applies and whether you must return the product.
- The replacement or repair of a defective product, or a part thereof, does not lead to an extension of the original warranty period.
- Products eligible for replacement or repair must be emptied and clean.

For a detailed explanation of the warranty conditions and items excluded from them, please visit Inventum's website '<https://www.inventum.eu/algemene-voorwaarden>'

These general warranty and service conditions apply to Inventum brand products purchased after 27th of April 2022 and intended for use within the Netherlands.

For Inventum products used outside the Netherlands, but within a EU Member State, the warranty rules of that country apply. Inventum provides warranty and service by a white goods technician only in the Netherlands.

As a consumer, you are entitled by law to a properly working product. Does the product break down sooner than you might expect? This means that the product is not in conformity. In that case, the law offers you, the buyer, with a number of legal remedies for your protection. This legal protection is not affected by the above commercial warranty given by Inventum on Inventum products used within the Netherlands.

Inventum Huishoudelijke Apparaten B.V., Meander 901, 6825 MH Arnhem, The Netherlands.