

keuken mengkraan

IMK601RVS
IMK601ZWA
IMK601BS



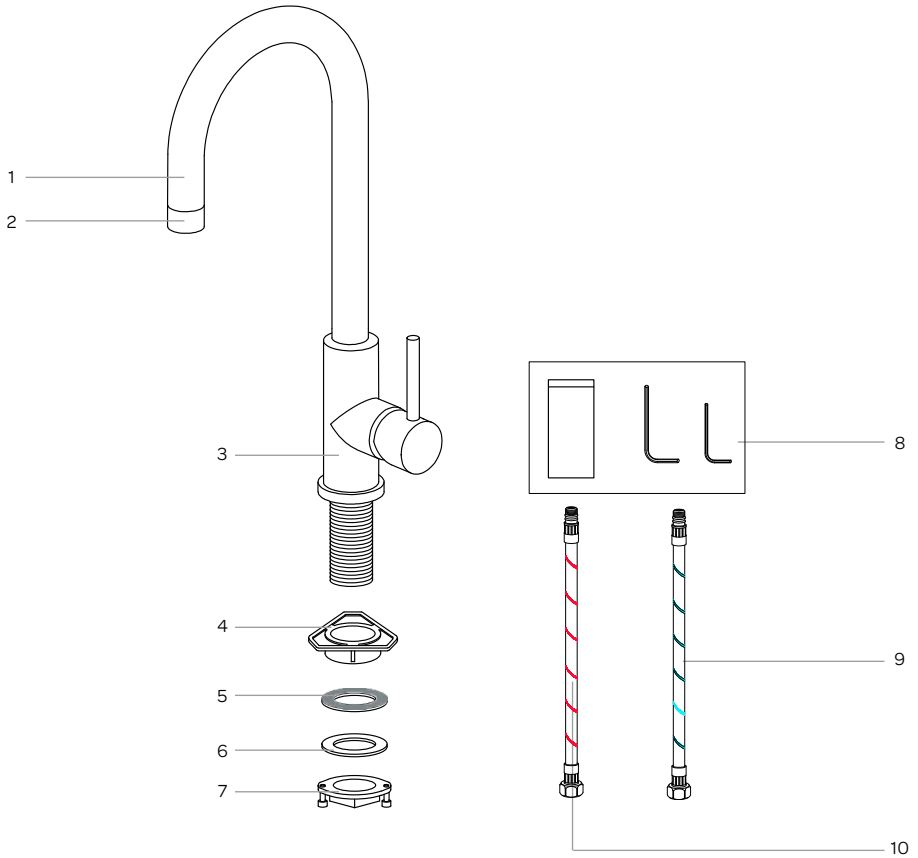
- gebruiksaanwijzing
- instruction manual
- Gebrauchsanweisung
- mode d'emploi

1 safety instructions

- **Carefully and fully read the user manual prior to using the appliance and carefully store the manual for future reference.**
- Only use this appliance for the purposes described in the user manual.
- Installation should take place in accordance with locally applicable regulations for construction and water. Consult an installer in case of doubt.
- Defective parts may only be replaced by original parts. Only for those parts will the manufacturer be able to guarantee that they meet the safety requirements.
- Damage as a result of incorrect connection, incorrect fitting or incorrect use does not fall under the warranty.

2 before using for the first time

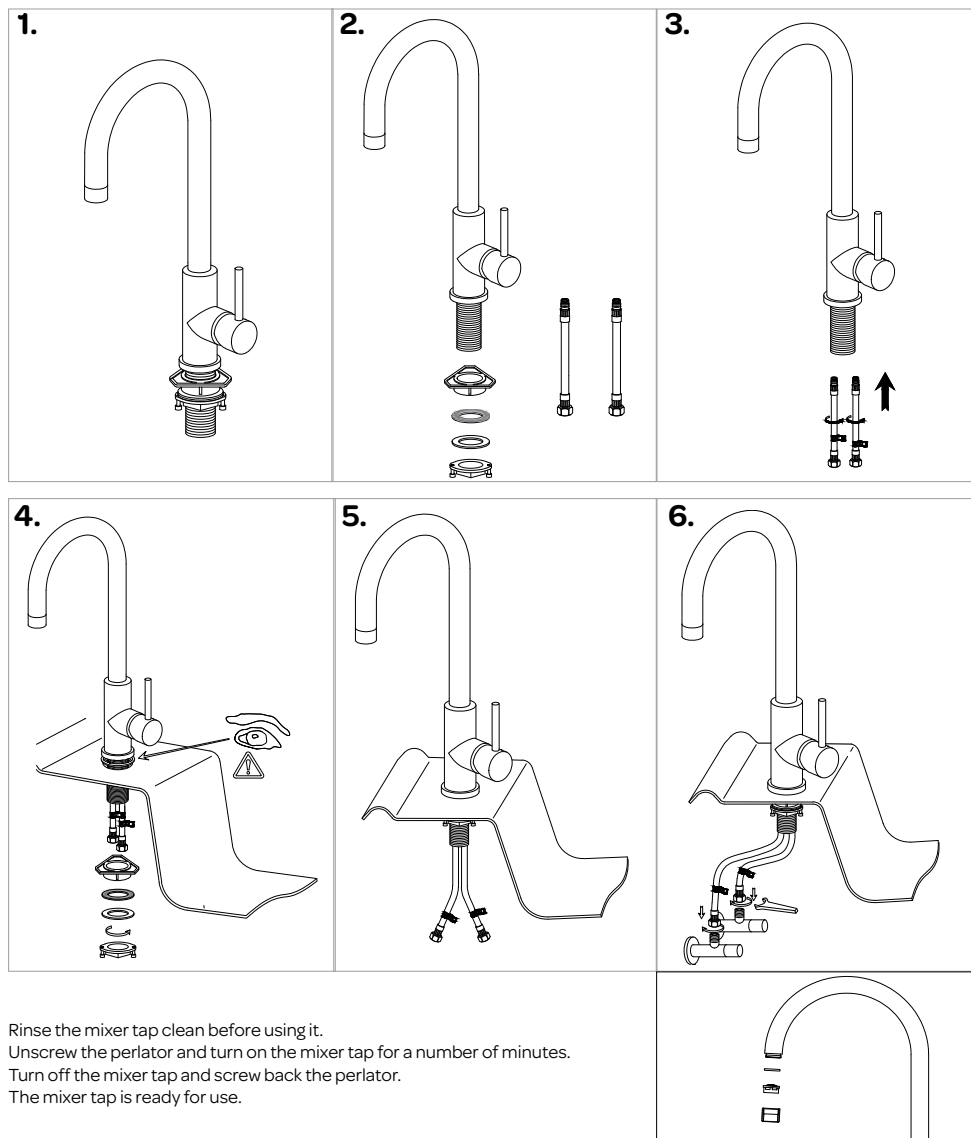
Observe these instructions when using the appliance for the first time: carefully unpack the mixer tap and remove all packaging material. Keep the packaging (plastic bags and cardboard) out of the reach of children. After unpacking the mixer tap, check it for external damage that may have occurred during transport. Check that all components described below are included in the delivery.



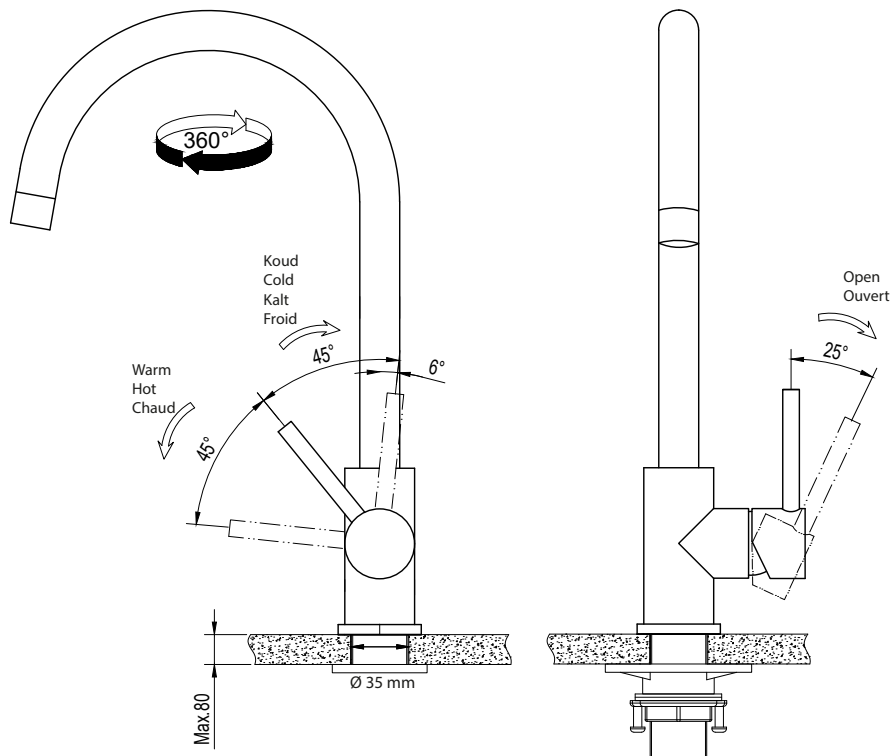
1. Tap spout
2. Perlator
3. Tap
4. Plastic flange
5. Rubber washer
6. Metal washer
7. Fastening ring and screws
8. Bag with socket head wrenches
9. Connection hose - cold water
10. Connection hose - hot water

3 installation of the mixer tap

- Safety during use is only guaranteed if the assembly has taken place in a technically correct way and in accordance with these installation instructions. The installer is liable for damage caused by incorrect assembly.
- In case of incorrect installation or connection, the warranty becomes invalid.
- The nominal pressure of the mixer tap is 0.3MPa and the tap is able to function with a water pressure of 0.05-0.5MPa (including hot and cold water pressure).
- The mixer tap is suitable for indoor use with an average temperature of 4-70°C.
- During assembly, make sure the hot and cold water connections are correct.
- Tools to be used: screwdriver, water level, teflon tape and a drill, if there is no tap hole in the worktop yet.

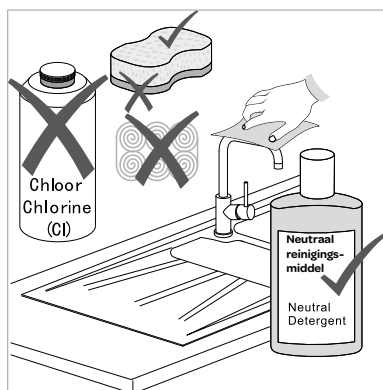


4 using the mixer tap



5 cleaning and maintenance

- **When cleaning the mixer tap, do not use aggressive, abrasive cleaning agents such as chlorine or steel wool, or detergents that have limescale dissolving or acidic properties.**
- Daily clean the mixer tap only with a soft, damp cloth and a mild detergent such as a washing-up liquid. Rinse thoroughly after cleaning and dry with a clean, dry cloth.
- Regularly clean the perlator in order to remove any accumulated scale. If necessary, you can use diluted household vinegar. Rinse thoroughly with water.





klein huishoudelijk



witgoed vrijstaand



witgoed inbouw



persoonlijke verzorging

Inventum Huishoudelijke Apparaten B.V.

Meander 901
6825 MH Arnhem
Tel: 0800-4583688

info@inventum.eu
www.inventum.eu

facebook.com/inventum1908
youtube.com/inventum1908



De service- en garantievoorwaarden vind u op de website.
For general terms and conditions of service and warranty check the website.
Für allgemeine Service- und Garantiebedingungen überprüfen Sie die Website.
Pour les conditions générales de garantie et de service après-vente, consultez le site Web.

www.inventum.eu

IMK601/01.1219V

Wijzigingen en drukfouten voorbehouden / Änderungen und Druckfehler vorbehalten /
Sous réserve de modification / Modifications and printing errors reserved