

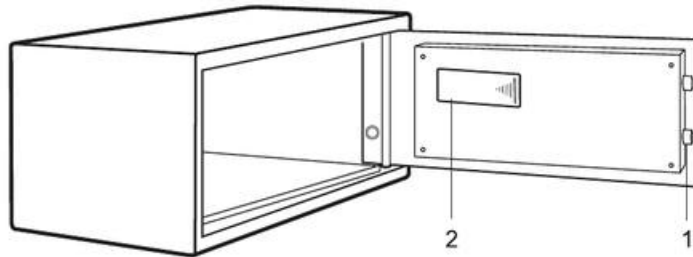
SECURA

User Manual Hotel Safe

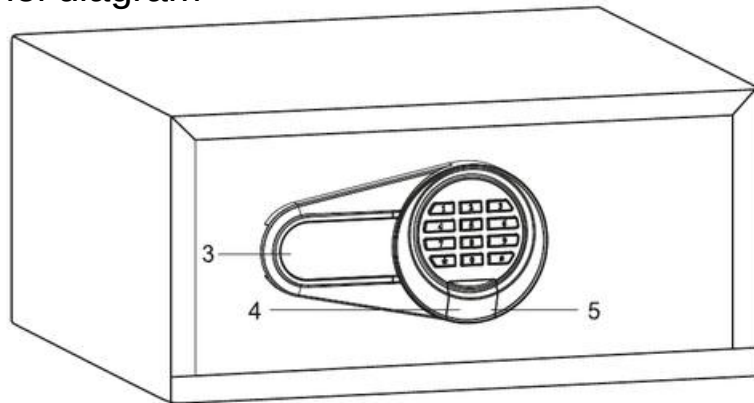
SECU1310-1319

1. HOTEL SAFE (SECU1310-1319)

Safe diagram



Control panel diagram



1. Bolts
2. Battery compartment
3. Display

4. USB (for CEU)
5. Emergency lock cover

2. OPENING THE SAFE FOR THE FIRST TIME

When opening the safe for the first time, use the included emergency keys. This is explained in more detail in chapter 7 'Opening the safe with an emergency key'.

- Remove the cover from the emergency lock and insert the emergency key.
- Turn the key counter-clockwise to open the safe.

Note: Remove the emergency keys as soon as the safe is open. Store the keys in a safe place, but not inside the safe itself!

3. INSERTING THE BATTERIES

- Open the door.
- Insert the included batteries (4x AA 1.5V) into the battery compartment.
- When 'BA-L' appears on the display, the batteries are nearly empty and need to be replaced.

Note: When inserting the four AA batteries, observe the '+' and '-' markings. Reset the user code and master code after replacing the batteries.

4. SETTING THE USER CODE

- With the safe door open, a new user code can be set.
- Enter a 4-6 digit user code and confirm with '#'.
• The display shows 'CLOSE' and the safe is locked.

5. SETTING THE MASTER CODE

- A second code called the 'master code' can optionally be set. It can be used to open the safe if guests forget the user code.
- Open the safe and press '*' twice. The display shows 'PROG'.
- Once 'PROG' disappears, enter the current master code. 'NEW' will appear on the display.
- Once 'NEW' disappears, enter a new 6-digit master code within 5 seconds. 'AGAIN' will appear on the display.
- Once 'AGAIN' disappears, re-enter the master code within 5 seconds.
- The safe confirms with 'DONE'. Setup of the new master code is complete.
- If 'ERROR' appears, the master code was not set correctly. Repeat the steps above.

Note: The factory-set master code is '011223'. Use this code if no new master code has been set yet.

Standard factory codes (e.g. 751019 and 123456) cannot be used as a new master code, to prevent confusion.

6. OPENING WITH A USER CODE

- Enter the 4-6 digit code. The display shows 'OPEN'.
- Once 'OPENED' appears on the display, the safe can be opened.

7. OPENING WITH AN EMERGENCY KEY

To open the safe for the first time, or in case of a lost code, dead batteries, or an electronic malfunction, the included emergency keys can always be used.

- Remove the cover from the emergency lock.
- Insert the emergency key into the lock.
- Turn the key counter-clockwise to open the safe.

Note: Remove the emergency keys as soon as the safe is open. Store the keys in a safe place, but not inside the safe itself!

8. LOCKING THE SAFE

Enter the user code and confirm with '#'. The display shows 'CLOSE' and the safe is locked.

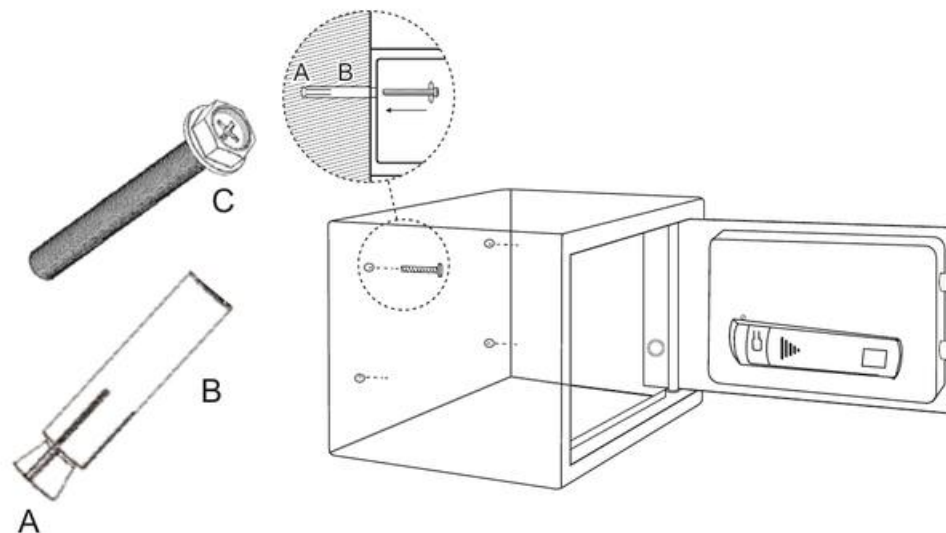
9. HIDING THE CODE WHEN OPENING

- Press '*' to prevent the entered code from being shown on the display during entry. The code will also not be shown after locking.
- If no digit is entered within 5 seconds of pressing '*' or after the last digit, the hide function deactivates automatically.
- Press '#' to manually deactivate this function.

10. MOUNTING METHOD

Place the safe on a dry, secure surface where it cannot easily be moved. Ensure a solid base. The safe can be mounted on a wall or inside a cabinet.

- Mark the mounting points on the wall or cabinet with a pencil. Drill holes (approx. 50mm deep) at the correct position.
- Place the bolts as shown in the diagram below.
- Once you are sure the safe is in the correct position, tighten all screws.



11. REPLACING THE BATTERIES

The user code and master code are reset when the batteries are removed. Reset these codes after replacing the batteries, following the instructions in chapters 4 and 5. If the batteries are dead and the keypad no longer works, use the emergency keys to open the safe and replace the batteries.

Note: Only use new batteries from a reputable brand. Do not mix used and new, alkaline, unknown brand, or rechargeable batteries.

12. ALARM / AUTOMATIC LOCK

If the code is entered incorrectly five times, the safe will automatically lock for 15 minutes. During these 15 minutes, 'HOLD15' will appear on the display each time a button is pressed. After 15 minutes the safe is unlocked and the code can be entered again.