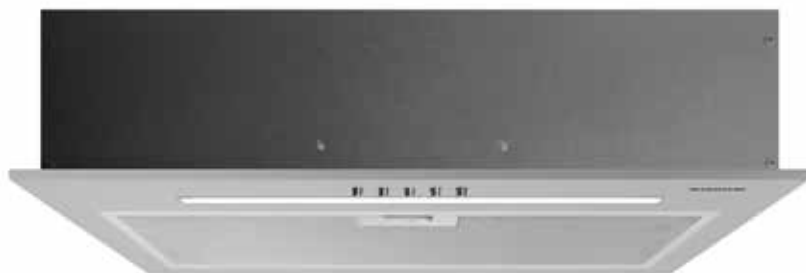


AKI6005RVS


Inbouw afzuigkap




Built-in cooker hood • Einbauhaube • Hotte encastrable







NL • Handleiding	3	-	11
EN • User manual	12	-	20
DE • Benutzerhandbuch	21	-	30
FR • Manuel d'utilisation	31	-	38

1 safety instructions


- **Please read these instructions before operating the appliance and retain for future use.**
- The appliance is intended solely for domestic use within the home. The appliance is suitable for extraction of air to the outside or for recirculation.
- Before plugging into a socket, check that the voltage in your home corresponds with the voltage printed on the rating plate of the appliance.
- This appliance can be used by children aged 8 years and over, as well by people with reduced physical, sensory or mental capabilities, or lack of experience and knowledge, provided they are supervised and instructed in the safe use of the appliance and understand the hazards involved.
- Do not allow children to play with the appliance. Do not allow children to clean or maintain the appliance unless supervised.
-  **Life-threatening: danger of poisoning through backdrafting of combustion gasses!**
- Never use the appliance to extract air while using a cooker that consumes air from the room, unless the room is sufficiently ventilated. Cooking appliances that consume air in the room (such as equipment that heats using gas, oil, wood or coal, geysers, hot water appliances) draw the combustion air out of the room and carry these gasses outside via the outlet (eg. shaft). In combination with an activated cooker hood, air is withdrawn from the kitchen and the adjacent rooms. This creates negative pressure if there is insufficient air supply. Poisonous gasses from the shaft or outlet channel are then backdrafted into the living area. **Always provide adequate ventilation!**
- The maximum permitted negative pressure is 4 Pa.
- Local regulations concerning the discharge of air have to be fulfilled.
- The appliance is not intended to be operated by means of an external timer or separate remote control system.
- In relation with electrical safety, the appliance shall not be cleaned with high-pressure cleaners or steam cleaners.

- **Warning:** Avoid the risk of electric shock; make sure the appliance is switched off before replacing the lighting or cleaning the appliance.
- Do not use the cooker hood if the grease filter has not been fitted properly!
- Do not lean against the cooker hood.
- Never use the cooker hood as a working surface unless this is indicated explicitly.
- If the cooker hood is used in combination with a gas hob ensure sufficient ventilation.
- The outlet should not be connected to a flue duct used by other appliances.
- Never flambé under a cooker hood and clean the filters on time. To prevent hot grease catching fire you should only deep fry under continuous supervision.
- The cooker hood should be cleaned regularly both on the outside as well as the inside (at least 1 x a month). Insufficient cleaning or a delay in the replacement of filters can cause fire hazard.
- The grease filters can become hot during use. After cooking wait at least 30 minutes before cleaning.
- **Please note!** Intensive use can lead to condensation on the cooker hood. Condensation is simple to remove with a dry cloth.
- Grease and oil are inflammable when overheated. Remain in the cooking area when preparing meals.
-  **Fire danger!** There is a risk of fire if the instructions for cleaning or replacing grease filters and/or carbon filters are not followed.
-  **Fire danger!** through grease deposits in the metal grease filter. Never work with open flame under the appliance (eg. flambéing). Always use the appliance with the metal grease filter. Clean the grease filter regularly.
-  **Fire danger!** through overheated grease or oil. Never extinguish a fire with water; always use a fire blanket, lid or plate.
- The appliance may have sharp edges; please be careful during cleaning.

-  **This appliance should only be connected by a registered installer.**
- Always follow the installation instructions in the installation manual (chapter 7) provided.
- Check the appliance for transport damage. Do not connect a damaged appliance.
- Faulty parts may only be replaced by original parts. The manufacturer can only guarantee that original parts meet safety requirements.
- If the connecting cable is damaged, it may only be replaced by the manufacturer, the manufacturer's service organisation or equivalently qualified persons, in order to avoid dangerous situations.
- Always use the original cable and plug to connect the appliance.
- The electrical connection must comply with national and local regulations.
- The wall plug socket and plug should always be accessible.
- If you want to make a fixed connection, make sure that an omnipolar switch with a contact separation of at least 3 mm is fitted in the supply cable.
- The appliance should not be connected to the mains via a multi-plug adapter or extension cable, as the safe use of the equipment cannot be guaranteed.
-  **Warning:** Never open the appliance casing. The casing may only be opened by a service technician.
- Disconnect the appliance from the mains supply before starting any repair work.
- We advise wearing protective gloves when assembling the cooker hood because of the possible sharp edges.
- The distance between the lowest point of the cooker hood and the supported surface for the cooking pans gas hob should be at least 65 cm. With an electric, ceramic or induction hob this distance should at least be 55 cm.
- If the instructions of the gas hob specify a greater distance, this should be taken into account.
-  **Warning:** failure to install screws or fixing devices in accordance with these instructions may result in electrical hazard.

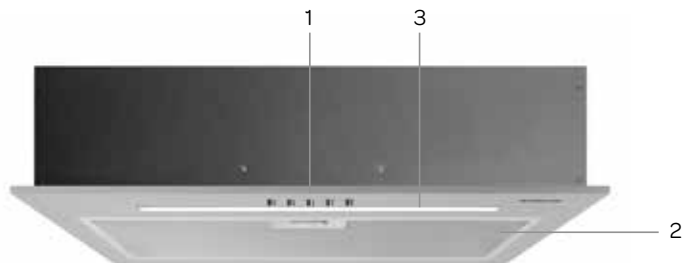
-  **If the safety instructions and warnings are not followed, the manufacturer cannot be held responsible for any resulting damage.**
- This appliance is intended to be used in household and similar applications such as:
 - staff kitchen areas, in shops, offices and other working environments;
 - farm houses and by clients in hotels, motels and other residential type environments;
 - bed and breakfast type environments;
 - catering and similar non-retail applications.
- Only use the appliance inside the home.
- If you decide to discontinue using the appliance because of a fault, we recommend you cut off the cable after removing the plug from the socket.



Legislation requires that all electrical and electronic equipment must be collected for reuse and recycling. Electrical and electronic equipment marked with the symbol  indicating separate collection of such equipment must be returned to a municipal waste collection point.

2 appliance description

1. Controls
2. Metal grease filter
3. Lighting (LED spots 2x 3.0W)



3 before the first use

Before you use the appliance for the first time, please do as follows: Carefully unpack the appliance and remove all the packaging material. Keep the material (plastic, polystyrene and cardboard) out of reach of children. Check the appliance after unpacking for any damage, possible from transportation. Place the appliance on a flat and stable surface.

This appliance should be installed and connected to the power supply by a recognized fitter who is familiar with, and works according to the correct safety regulations.

How to install the appliance, is instructed in the installation instructions (chapter 7).

The appliance must be connected with a properly installed fused socket. The power supply and voltage at the operating point must correspond with the details on the rating label of the appliance.

EXTRACTION SYSTEM

This cooker hood can be connected in two ways: to a duct or as a recirculation hood. Install the cooker hood according to the instructions, depending on your choice.



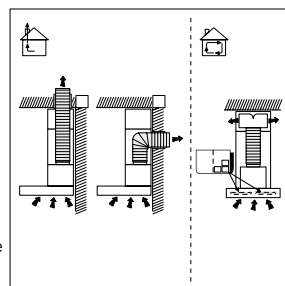
VENT OUTSIDE - to a duct, the cooking vapours extracted by suction are carried outside, once the grease particles have been filtered.



RECIRCULATE - as a recirculation hood, the grease particles and the smell in the extracted vapours are filtered. The air that is sucked in is not carried outside, but recirculates in the kitchen. A good out flow of the air is necessary.

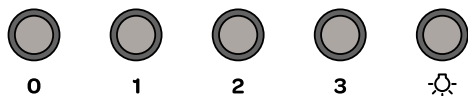
Extra information:

- Note: new houses may no longer vent outside.
- For recirculation, it is necessary to use carbon filters or a plasma filter. For more information on the differences between carbon and plasma filters check the website www.inventum.eu.




Attention! A carbon filter and a plasma filter are not included. You need to order the accessories separately.

4 operating the appliance



SWITCHING THE COOKER HOOD ON AND OFF

- Press **0** to turn the motor off.
- Press **1** and the motor runs at the lowest speed.
- Press **2** and the motor runs at the middle speed.
- Press **3** and the motor runs at the highest speed.
- Press  and the lighting switches on. Press the button again to switch the lighting off.

Switch the lighting on if you need more light on your cooking appliance. It is recommended to operate the appliance a few minutes prior to cooking. Leave the appliance in operation for 5 to 10 minutes after the cooking is finished to remove all the smells from the kitchen.

5 cleaning and maintenance

Before performing any maintenance operation, disconnect the cooker hood from the mains power supply. Ensure that it is switched off and pull the plug or remove the connector fuse.

Clean the in- and outside of the cooker hood regularly. Clean the cooker hood with warm soapy water and a soft cloth. If your model is stainless steel, clean it with a stainless steel care product. Do not use any abrasive cleaning agents such as powder cleaners or cleaners that contain alcohol. Clean the controls only with a damp cloth.

Attention: failure to carry out the basic cleaning recommendations can cause fire risks.

GREASE FILTERS

A metal grease filter filters the grease particles in the air. Therefore, the filter can get clogged, depending on the use. The metal grease filter does not have to be replaced, but should at least be cleaned once a month. You can clean it either by hand or in the dishwasher on a low temperature. Make sure the grease filter is completely dry before placing it back.

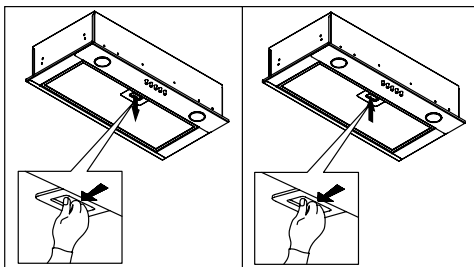
Do not use any abrasive cleaning agents.

Not cleaning the grease filter on time can cause fire risks.

Cleaning the grease filter in the dishwasher can cause discoloration. This has no effect on the operation.

REMOVING THE GREASE FILTER

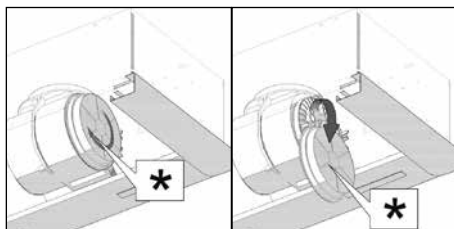
Switch off the electricity! Remove the plug from the socket. Pull the grease filter towards you and tilt it downwards at the front. Make sure you guide the grease filter with your other hand to prevent the grease filter from falling down on your cooking appliance.



REPLACING THE CARBON FILTER

A carbon filter cleans the air and filters the smell that occurs during cooking. A carbon filter cannot be washed and reused. In all cases, it is necessary to replace the carbon filter at least every four months.

- Remove the grease filter.
- Attach a carbon filter* to the motor.
- Replace the grease filter.





REPLACING THE LAMP

This appliance is equipped with a LED light strip. The LED light strip can be used for a long time. In case a LED light strip is blown, it must be replaced by a qualified person to avoid any hazard. Contact the Inventum service department.

6 troubleshooting

What to do in case of a malfunction? In most cases, you will be able to correct these faults easily yourself. Please check the solutions below before contacting the Inventum service department.

The motor is not running

- Is it plugged in correctly?
- Is there a power outage?
- Check the electrical installation.

The performance of the cooker hood is not correct and makes more noise.

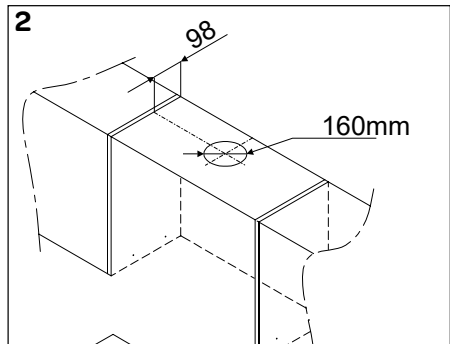
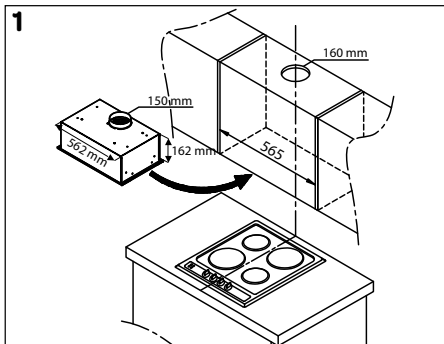
- Is the diameter of the exhaust-air pipe correct?
- Is the duct blocked?
- The diameter of the duct must be 150 mm. A smaller diameter can negatively influence the suction of the motor.
- Are the grease filters clean?
- Are the carbon filters not replaced within the last 6 months? Replace the carbon filters.
- Is there enough air supply to replace the extracted air?

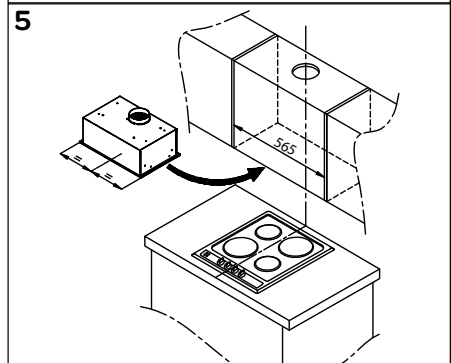
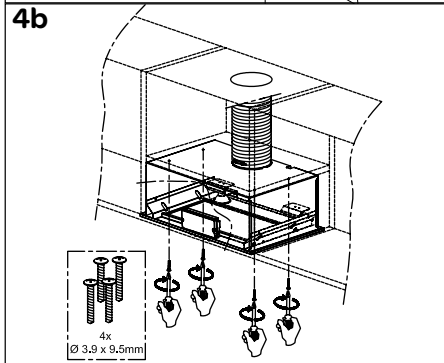
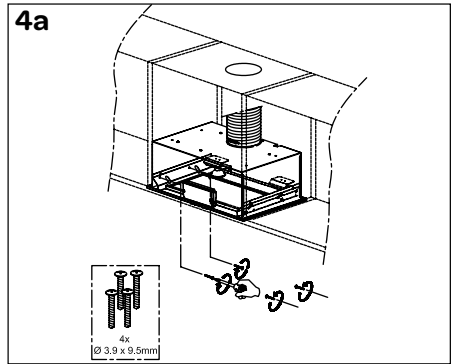
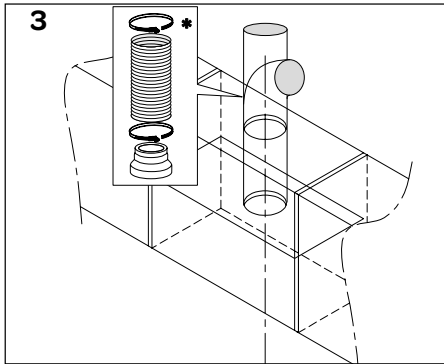
7 installation instructions

Read these installation instructions carefully before starting the installation.

Decide whether there is a duct available or if the cooker hood needs to recirculate. We advise installing the cooker hood with two persons. We advise wearing protective gloves when installing the cooker hood.

- The minimum distance between the supporting surface for the cooking pans on the cooker and the lowest part of the hood must be:
 - 55 cm for an electric, ceramic or induction cooker
 - 65 cm for a gas hob
- If the cooker hood is to be fitted to an existing duct, no other appliances, such as a geyser or heater, may be connected to that same duct.
- The shorter the duct, and the fewer the bends in it, the better the cooker hood will work.
- The connection pipe for the cooker hood has a diameter of 150 mm.





INSTALLATION OF THE COOKER HOOD

1 Remove the grease filter.

Place the cooker hood at the required position at a minimum height of 65 cm above the cooking section and mark the bottom side of the cooker hood on the wall/side wall. Determine the centre of the cooker hood.

Determine the centre of the cooking section and mark this point at the height of the cooker hood. This is to be able to position the cooker hood centred above the cooking section.

2 Determine the position of the air discharge tube. Limit the number of bends and unnecessary lengths in the discharge tube. As a result, the cooker hood will function better.

Saw out the holes for the discharge tube. The discharge opening has a diameter of 150 mm. The hole for the discharge tube must be 10 mm larger than the discharge tube (160 mm).

3 Attach the discharge tube on the upper side of the discharge channel and allow it to hang down.

4 See how you want to mount the cooker hood - 4a or 4b.

4a The cooker hood can be attached via holes in the side of the base unit, by means of screws in the kitchen cabinet.

4b The cooker hood can be attached via holes in the top side of the base unit, by means of screws in the kitchen cabinet. Remove the cooker hood and pre-drill the holes. Use an 8 mm drill. Drill the hole approximately 45 mm deep.

5 Place the cooker hood back in the kitchen cabinet. When the discharge channel is no longer within reach, you must connect the discharge tube to the cooker hood before you fully place the cooker hood in the kitchen cabinet.

Now fasten the cooker hood to the kitchen cabinet using the supplied screws.

Place the grease filters back.

Remove all protective film prior to using the cooker hood.

ELECTRIC CONNECTION

Make sure the supply voltage ratings correspond with those stated on the rating plate. Plug the appliance in. The cooker hood is provided with a plug. Make sure the plug remains accessible. Place the socket, if necessary, out of sight behind the exhaust-air pipe.

Attention: if you want to make a fixed connection, ensure that a multipole switch with a distance between contacts of 3 mm is installed in the supply cable.

General terms and conditions of service and warranty

5-year Inventum warranty!

1. Customers enjoy a 5-year full manufacturer's warranty on all Inventum products.
2. Within this period, a defective product or part, which makes normal functioning of the product or part impossible, will always be repaired free of charge or, if repair is not possible and/or does not provide a solution, replaced (by the same or equivalent product). The assessment of this lies with Inventum.
3. In order to make a claim under the 5-year Inventum warranty you must, within two months after discovering the fault or defect, either return the product to the shop where you bought it, or contact the Inventum customer service department by using the form at www.inventum.eu/service.
4. The warranty period starts from the date stated on the product's original sales receipt.
5. To invoke the warranty, you must always send a copy of the original proof of purchase with the service request and present the original proof of purchase to the service technician.
6. The 5-year warranty applies only to normal domestic use of Inventum products within the Netherlands.

Warranty exclusions

1. The 5-year Inventum guarantee does not apply in case of: normal wear and tear, consumables, improper use, insufficient or incorrect maintenance, incorrect and/or inexperienced assembly and installation of the appliance, repairs by unauthorised third parties, business or commercial use, missing serial number, damage caused by an external cause. This enumeration is not exhaustive.
2. B-choice products and products that have been built-in in a showroom are not covered by the 5-year Inventum warranty. All optical damage such as dents, scratches and slight traces of use are excluded from any warranty.

Reporting malfunctions on Inventum products

1. Faults or defects on Inventum products can be reported by using the service request form on the website www.inventum.eu/service or through the seller of the product.
2. A copy of the original proof of purchase must be included with the request.
3. Inventum's service department determines whether the product will be repaired or replaced, based on the request and the sales receipt.

Important to know

- Products sent without prior notification will not be accepted. Further to the notification you will be informed by Inventum whether a warranty applies and whether you must return the product.
- The replacement or repair of a defective product, or a part thereof, does not lead to an extension of the original warranty period.
- Products eligible for replacement or repair must be emptied and clean.

For a detailed explanation of the warranty conditions and items excluded from them, please visit Inventum's website www.inventum.eu/algemene-voorwaarden

These general warranty and service conditions apply to Inventum brand products purchased after 27 April 2022 and intended for use within the Netherlands.

For Inventum products used outside the Netherlands, but within a EU Member State, the warranty rules of that country apply. Inventum provides warranty and service by a white goods technician only in the Netherlands.

As a consumer, you are entitled by law to a properly working product. Does the product break down sooner than you might expect? This means that the product is not in conformity. In that case, the law offers you, the buyer, with a number of legal remedies for your protection. This legal protection is not affected by the above commercial warranty given by Inventum on Inventum products used within the Netherlands.

Inventum Huishoudelijke Apparaten B.V., Meander 901, 6825 MH Arnhem, The Netherlands

INVENTUM

AKI6005RVS/02.0924

Wijzigingen en drukfouten voorbehouden
Änderungen und Druckfehler vorbehalten
Sous réserve de modification
Modifications and errors reserved

INVENTUM

**Inventum Huishoudelijke
Apparaten B.V.**

Postbus 5023
6802 EA Arnhem

www.inventum.eu

facebook.com/inventum1908
pinterest.com/inventum1908
youtube.com/inventum1908
instagram.com/inventum1908



www.inventum.eu

